

# TB138 **FR**

## ZERO-SWING EXCAVATOR

● Machine Weight : 3860kg



**TAKEUCHI**

# ADJUSTABLE ONE PIECE OFFSET BOOM SYSTEM



## Operator Comfort

### Spacious Compartment

decreases operator's fatigue during long days of productive operation.

### Wide Entrance

provides the comfort entry/exit.

### Two-Speed Travel Switch

is conveniently located on the right hand travel lever for ease of operation.



### Two-Speed Travel Shift-Down System

automatically shifts travel speed from high to low speed when ground conditions call for additional traction power.

### One Touch Engine Decelerator

installed on the right hand joystick reduces fuel consumption when the excavator is temporary idled.



**Short Pitch Rubber Crawlers** provide vibration free travel even on the roughest ground conditions.



## Serviceability

### Tilt-Up Operator's Platform

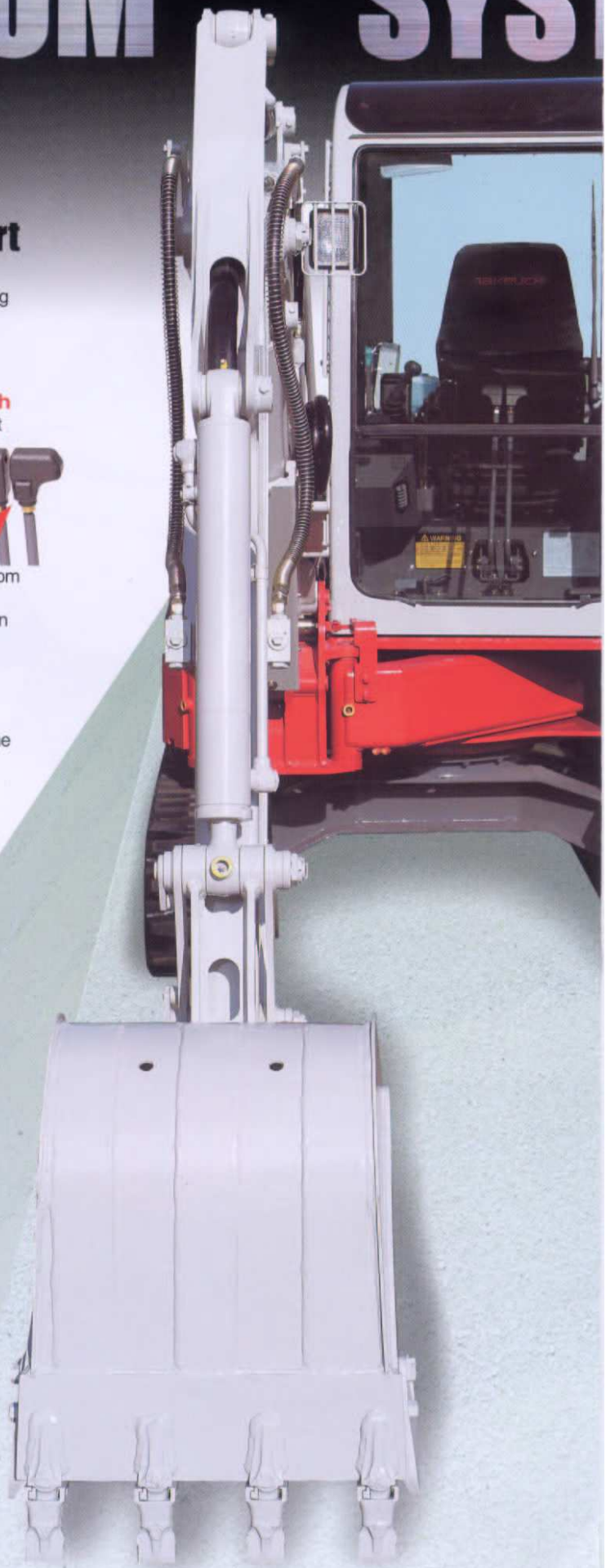
provides excellent service access to the engine and other components.

### Multiple Ground Level Access Panels

allow quick and easy maintenance servicing.

### Newly Designed Radiator & Exhaust System

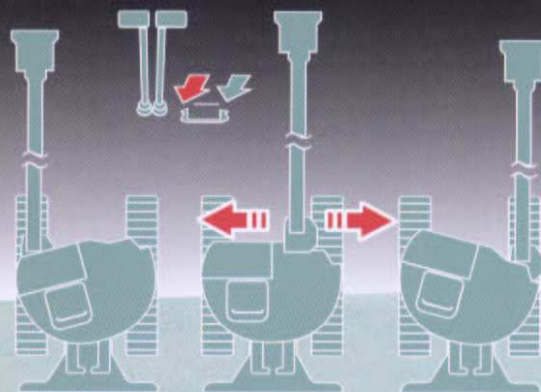
for releasing heat quickly / easy maintenance.



# SYSTEM



combined with zero-swing. A compact and innovative



## ZERO-SWING

enables the TB138FR to efficiently operate in confined areas.



### Safety

**Well-Balanced Machine Weight**  
insures superior stability.

**Emergency engine shut down / return to idle system**

helps protect the engine from problems due to unobservant operators.

### Environmental Sensitivity

#### New Series Engine

is designed to meet the most strict worldwide exhaust emission standards and also provides significantly reduced noise levels for minimal disturbance in urban areas.



TB138FR Canopy



### Ease of Operations

**Excellent Travel & Slew Speed**

shorten operation cycle time.

**Hydraulic Attachments**

are operated by momentary push button or proportionally controlled by the slider switch on the joystick.

(SLIDER SWITCH:OPTIONAL)

### Options

#### Air Conditioner

provides a comfortable operating environment in even the warmest climate.

#### 2nd AUXILIARY HYDRAULIC SERVICE PORT

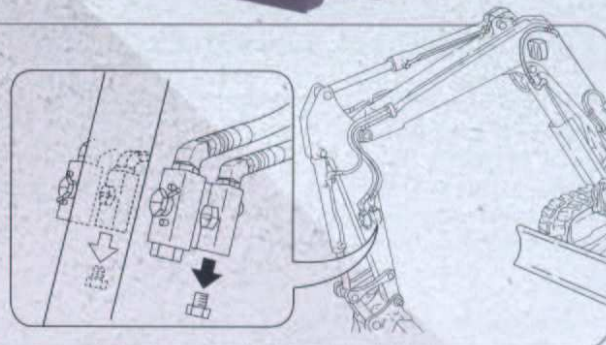
powers attachments that require multiple hydraulic actuation.

#### Optional Long Arm

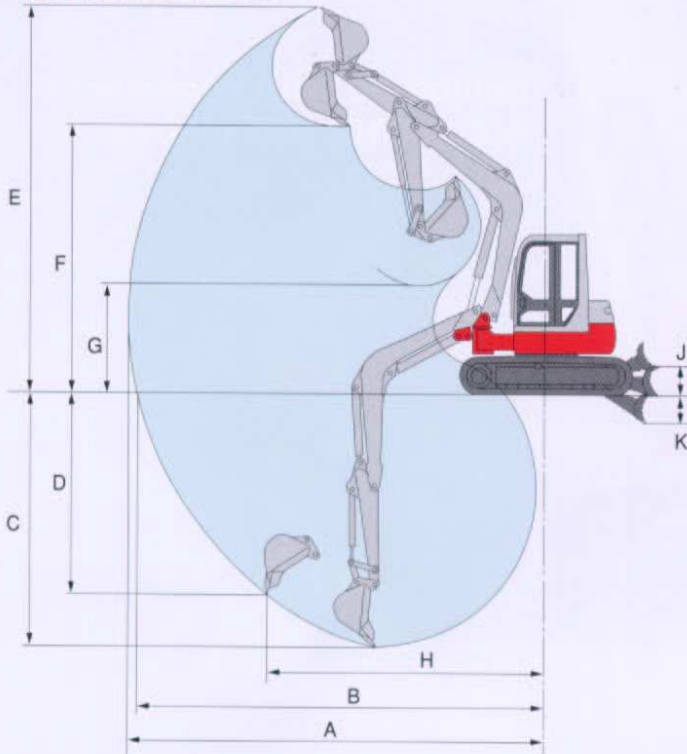
increases the excavators working range.

#### Proportional Auxiliary Hydraulic Switch

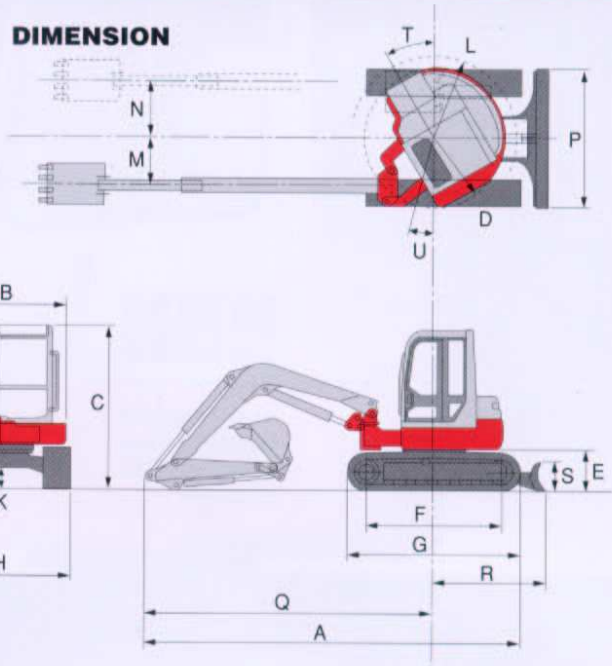
is controlled at your fingertips.



## OPERATING RANGE



## DIMENSION



Units:mm

Item	Standard Arm	Long Arm
	Rubber Crawlers	
A Max. digging radius	5260	5550
B Max. ground digging radius	5130	5425
C Max. digging depth	3110	3420
D Max. vertical digging depth	2365	2635
E Max. digging height	5020	5220
F Max. dumping height	3595	3795
G Min. dumping height	1420	1120
H Max. vertical digging radius	3605	3730
J Max. raising height	355	355
K Max. lowering depth	290	290

Units:mm | } :Canopy

	Standard Arm	Long Arm		Standard Arm	Long Arm
	Rubber Crawlers			Rubber Crawlers	
A	4715	4770	L	1155	1335
B	1640	←	M	700	←
C	2555 [2565]	←	N	730	←
D	955	←	P	1740	←
E	605	←	Q	3660	3715
F	1655	←	R	1415	←
G	2110	←	S	395	←
H	1740	←	T	30°	
J	350	←	U	15°	
K	295	←			

## SPECIFICATIONS TB138FR Cab, Rubber Tracked, Breaker Piping Standard (STEEL TRACKED)

<b>WEIGHT</b>		Rear Slew Radius	955	<b>OPERATING RANGE : mm</b>	
Machine Weight	kg	Min. Ground Clearance	295	Max. Digging Depth	3110
<b>BUCKET</b>		<b>PERFORMANCE</b>		Max. Vertical Digging Depth	2365
Bucket Capacity	m <sup>3</sup>	Traction Speed	km/h	Max. Dumping Height	3595
	0.105	Upper Slew Speed	min <sup>-1</sup>	Max. Digging Height	5020
Bucket Width	mm	Gradeability	deg/%	Max. Digging Radius	5260
	570	Max Dig Power Bucket	kN	Max. Ground Digging Radius	5130
<b>DIESEL ENGINE (WATER-COOLED)</b>		Max Dig Power Arm	kN	Max. Bucket Offset RH/LH	730/700
Model	3TNV88	Ground Pressure	kPa		
Type	4CYCL,3CYL,Direct Injection		30.4 (32.1)	<b>HYDRAULIC SYSTEM</b>	
Rated Output	kW	<b>DOZER BLADE : mm</b>		Pump Type	2xVariablePiston Pump+2xGear Pump
	20.5	Width x Height	1740X395	Set Pressure	MPa
Max. Torque	N·m	Operating Range up/down	355/ 290		20.6x2+19.6+3.4
Displacement	mL	<b>OFF-SET DIG FUNCTION</b>		Discharge	L/min
	1642	Type	Boom Offset		37.2x2+21.8+10.3
Cooling Water Capacity	L	Swing Angle RH/LH	15°/ 30°	Breaker & Service Port	L/min
Lubrication Oil Capacity	L	<b>TRACTION SYSTEM : mm</b>			59
Fuel Tank Capacity	L	Crawler (Track)	Rubber / Steel	Slew Motor	Piston Motor
	40	Track Width RT (ST)	350 (350)	Traction Motor	2-Speed Piston Motor
<b>OVERALL DIMENSION:mm</b>				Hydraulic Tank Capacity	L
Length (in transport)	4715				41 (Level) / 68 (System)
Width	1740				
Height	2555				

WORLD CREATOR OF COMPACT EXCAVATOR

**TAKEUCHI MFG.CO.,LTD.**

205, Uwadaira,Sakaki-machi, Hanisina-gun.

Nagano 389-0605,Japan

Phone (81)268-81-1112

Telefax (81)268-81-1121

URL <http://www.takeuchi-mfg.co.jp>

E-mail:marketing@takeuchi-mfg.co.jp