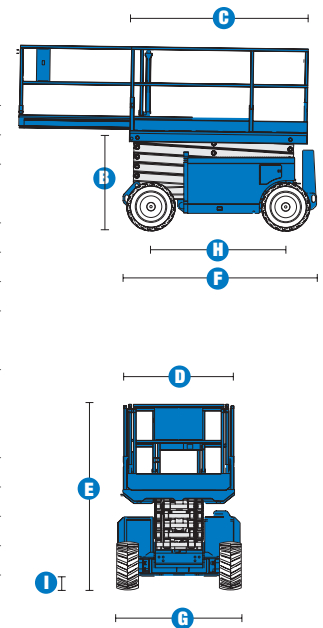
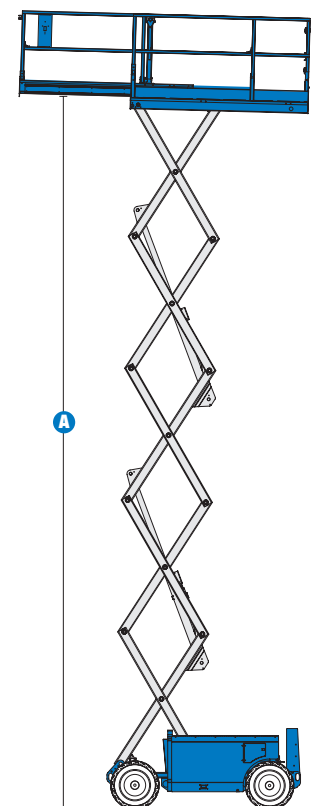


Specifications

MODELS	GS™-2668 RT		GS™-3268 RT	
MEASUREMENTS	Metric	US	Metric	US
Working height maximum*	9.92 m	32 ft	11.75 m	38 ft
A Platform height maximum	7.92 m	26 ft	9.75 m	32 ft
B Platform height - stowed	1.19 m	3 ft 10.75 in	1.31 m	4 ft 3.75 in
C Platform length - outside	2.51 m	8 ft 3 in	2.51 m	8 ft 3 in
- extended	2.96 m	9 ft 9 in	2.96 m	9 ft 9 in
Slide-out platform extension deck	1.10 m	3 ft 6 in	1.10 m	3 ft 6 in
D Platform width - outside	1.55 m	5 ft 1 in	1.55 m	5 ft 1 in
Toeboard height	15 cm	6 in	15 cm	6 in
E Height - stowed**	2.32 m	7 ft 7.5 in	2.57 m	8 ft 5 in
rails lowered	1.70 m	5 ft 7 in	1.83 m	6 ft
F Length - stowed	2.67 m	8 ft 9 in	2.67 m	8 ft 9 in
platform extended	3.75 m	12 ft 4 in	3.75 m	12 ft 4 in
with outriggers	3.43 m	11 ft 3 in	3.43 m	11 ft 3 in
G Width	1.73 m	5 ft 8 in	1.73 m	5 ft 8 in
H Wheelbase	1.85 m	6 ft 1 in	1.85 m	6 ft 1 in
I Ground clearance - centre	20 cm	8 in	20 cm	8 in



PRODUCTIVITY				
Maximum platform occupancy (indoor/outdoor)	4/4	4/4	4/2	4/2
Lift capacity	567 kg	1,250 lbs	454 kg	1,000 lbs
Drive speed - stowed	6.1 km/h	3.8 mph	6.1 km/h	3.8 mph
Drive speed - raised	0.8 km/h	0.5 mph	0.8 km/h	0.5 mph
Gradeability-stowed***	35%	35%	30%	30%
Maximum outrigger levelling:				
front to back	6.6°	6.6°	6.6°	6.6°
side to side	10.6°	10.6°	10.6°	10.6°
Turning radius - inside	1.52 m	5 ft	1.52 m	5 ft
Turning radius - outside	3.68 m	12 ft 1 in	3.68 m	12 ft 1 in
Raise/lower speed	30/35 sec	30/35 sec	40/37 sec	40/37 sec
Controls	proportional	proportional	proportional	proportional
Drive	four wheel	four wheel	four wheel	four wheel
Tyres - rough terrain	30 x 60 cm	12 x 23.5 in	30 x 60 cm	12 x 23.5 in



POWER				
Power source	Kubota D-1105 Diesel 24.9 hp (18.6 kW) Kubota petrol/LPG 23 hp (17 kW) Perkins 403D-11 Diesel 26 hp	Kubota D-1105 Diesel 24.9 hp (18.6 kW) Kubota petrol/LPG 23 hp (17 kW) Perkins 403D-11 Diesel 26 hp	Kubota D-1105 Diesel 24.9 hp (18.6 kW) Kubota petrol/LPG 23 hp (17 kW) Perkins 403D-11 Diesel 26 hp	Kubota D-1105 Diesel 24.9 hp (18.6 kW) Kubota petrol/LPG 23 hp (17 kW) Perkins 403D-11 Diesel 26 hp
Fuel tank capacity	56.8 L	15 gal	56.8 L	15 gal
Hydraulic system capacity	62.5 L	16.5 gal	62.5 L	16.5 gal

WEIGHT****				
CE max	3,236 kg	7,194 lbs	3,771 kg	8,314 lbs
Weight modifiers for options:				
Outriggers	add 483 kg	1,064 lbs	483 kg	1,064 lbs
Generator	add 48 kg	105 lbs	48 kg	405 lbs
Non marking rough terrain tyres	add 323 kg	712 lbs	add 323 kg	712 lbs

STANDARDS COMPLIANCE	CE EN280, PB-10-611-03
----------------------	------------------------

* The metric equivalent of working height adds 2 m to platform height. U.S. adds 6 ft to platform height.

** Based on RT tyres; deduct 5.8 cm (2 in) for turf and non-marking tyres.

*** Gradeability applies to driving on slopes. Gradeability may vary depending on the weight of options installed on machine. See Operator's Manual for details regarding slope ratings.

**** Weight varies depending on options and country standards.

Features

STANDARD FEATURES

MEASUREMENTS

GS™-2668RT

- 9.92 m (32 ft) working height
- Up to 567 kg (1,250 lb) lift capacity

GS™-3268RT

- 11.75 m (38 ft) working height
- Up to 454 kg (1,000 lb) lift capacity

PRODUCTIVITY

- 2.51 x 1.55 m (8 ft 3 in x 5 ft 1 in) steel frame with replaceable aluminium deck
- 1.22 m (4 ft) platform extension deck
- Folding guardrails
- Proportional lift and drive
- Onboard diagnostic system
- AC power to platform
- Full-height swing gate
- 4x4
- Positive traction control
- Four-wheel braking
- Swing-out engine tray
- Foam-filled rough terrain tyres
- Tilt level sensor with audible alarm
- Descent alarm
- Horn
- Hour meter
- Certified load sensor

POWER

- Kubota D-1105 Diesel 24.9 hp (18.6 kW)



OPTIONS & ACCESSORIES

PRODUCTIVITY

- Automatic levelling hydraulic outriggers
- Air line to platform
- Non-marking rough terrain tyres 30 x 60 cm (12 x 23.5 in)
- Dual flashing beacons
- Motion alarm
- Platform work lights
- Biodegradable hydraulic oil
- Fire resistant oil

POWER

- Kubota diesel 24.9 hp (18.6 kW)
- Kubota petrol/LPG 23 hp (17 kW)
- Perkins 403D - 11 Diesel 26 hp
- 2000 watt generator (110 V/60 Hz)
- Cold weather packages for all engines (not CE)
- Diesel scrubber (Perkins)
- Hydraulic oil cooler
- LPG steel tank only, 15 kg (33.5 lb) capacity
- Additional LPG tank and carrier

Distributed By:

UK

Millennium House
Brunel Drive
Newark NG24 2DE
UK
Tel: +44 (0)1476 584333
Fax: +44 (0)1476 584334

France

10, ZA de la Croix St. Mathieu
28320 Gallardon
France
Tel: +33 (0)2 37 26 09 99
Fax: +33 (0)2 37 26 09 98

Germany

Finienweg 3
28832 Achim/Bremen
Germany
Tel: +49 (0)4202 8852-0
Fax: +49 (0)4202 8852-25

Spain

Gaià 31, Pol. Ind. Plá d'en Coll
08110 Montcada i Reixac
Barcelona
Spain
Tel: +34 93 572 50 90
Fax: +34 93 572 50 91

Scandinavia

Importgatan 17
422 46 Hisings Backa
Sweden
Tel: +46 31 57 51 00
Fax: +46 31 57 90 20

Middle East

Terex Middle East
PO Box 282325, Dubai
U.A.E.
Tel: +971 4 885 8030
Fax: +971 4 885 6364
Email: awp.infome@terex.com

Genie United States

18340 NE 76th Street
P.O. Box 97030
Redmond, WA
USA 98073-9730
Tel: +1 425 881-1800
Fax: +1 425 883-3475

Email: AWP-InfoEurope@terex.com